

SR-2E-16, CLASSIC PRO, 4, 2.4 gallon (9L), R134a, Grey



RefCC0HMR (SR2E16290G)

Bubbler Beverage Dispenser STD CRATHCO CLASSIC PRO, 4, 2.4 gallon (9L), R134a, SR-2E-16, Grey

General Features

CLASSIC PRO BUBBLER SR-2E is a cold drink premix dispenser, compact size, with 4x2.4 gallon (9 L) capacity tanks. The machine cools and dispenses ready-made drinks such as fresh juices, teas, cold brew coffee, cocktails, flavored water etc. The unique evaporator and the high efficiency system cool faster and more efficiently for a quick start-up. The superior engineering ensures a perfect temperature from the first to the last drop of dispensed product.

Two-piece dripless pouring valves are easy to use and clean.

Suitable for cups up to 9 inch height (22,9 cm).

New easy-off release bowl system, that makes dismantling easier and reduces cleaning time.

Drinks mix with a magnetic submerged impeller.

Agitators are provided with each unit.

Panels are in stainless steel.

OPTIONALS AVAILABLE:

- VALVE CAP: improves sealing of valve when using pulpy product
- FOUNTAIN SPRAY KIT: ideal to create a spectacular effect
- EXCLUSIVE AUTOFILL LID: retrofittable postmix Autofill Lid System increases consistency and exclude SR2E22290NEMA manual filling operations.

SR-2E-16, CLASSIC PRO, 4, 2.4 gallon (9L), R134a, Grey

SR-2E-16, CLASSIC PRO, 4, 2.4 gallon (9L), R134a, Grey

Electric

Supply voltage:	120 V / 1N ph / 60 Hz
Electrical power max.:	0.2 kW
Current consumption:	2 Amps
Plug type:	NEMA 5-15

Key Information:

Number of bowls:	2
Control board:	Mechanical
Bowl's capacity:	
Dimensions, Width:	10 5/8"
Dimensions, Depth:	16 15/16"
Dimensions, Height:	26 3/8"
Net weight:	53 lb

Refrigeration Data

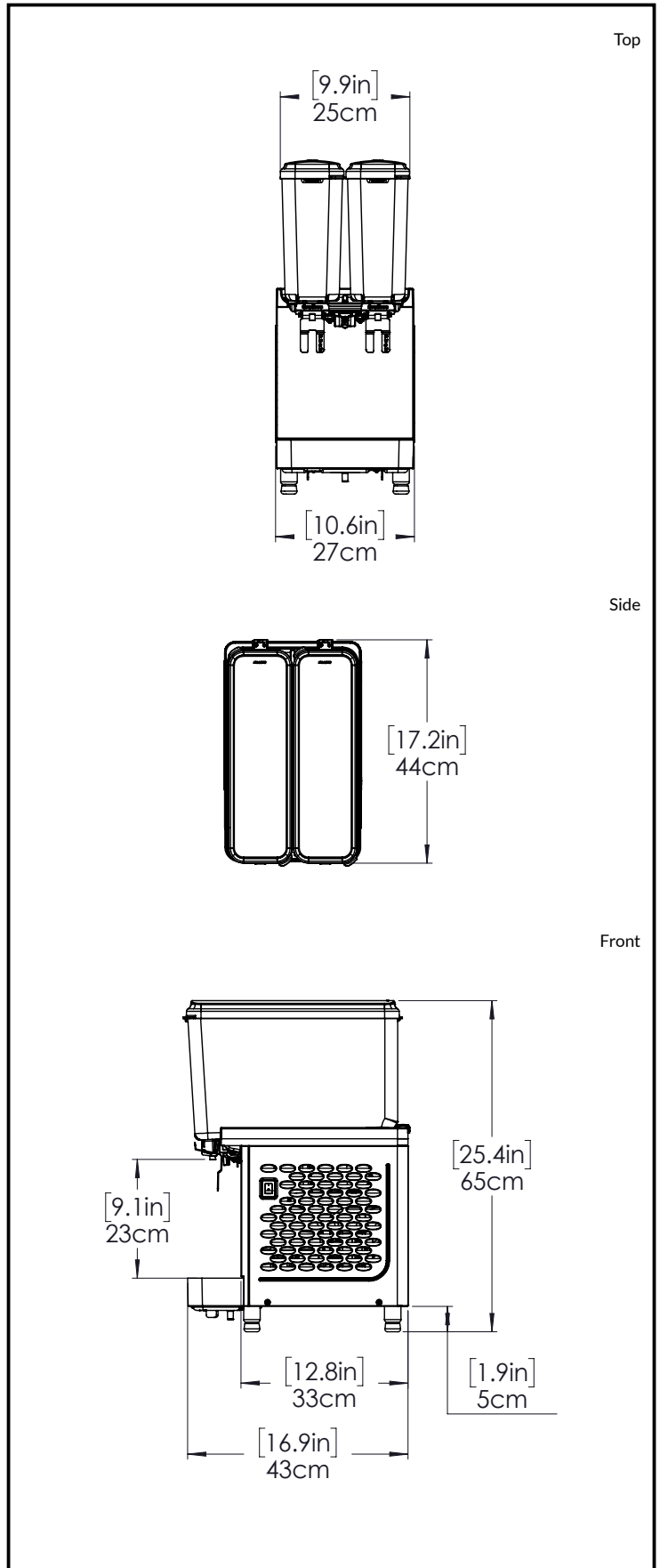
Refrigerant gas:	R290
------------------	------

Certifications



The company reserves the right to make modifications to the products without prior notice. All information correct at time of printing.

2026.03.31



CRATHCO

www.crathco.drink-systems.com
infocrathco@electroluxprofessional.com